



Electric water heaters

New range for sanitary hot water



Baxi SpA has a proud tradition of providing user-friendly technological advanced solutions, offering a complete service and developing products in order to satisfy customers' needs. This is the philosophy that Baxi pursues and that embodies in the huge range of boilers

and heating systems that has driven the company towards the leadership in the heating market. Baxi has now introduced a new range of electric water heaters from 10 to 100 liters for the sanitary hot water.

Electric water heaters



- Enamelled steel water tank
- Temperature regulation with external knob
- New ohmic protection system
(reduced consumption of the magnesium anode)
- Polyurethane insulation without CFC and HCFC
- Analogic thermometer (excluding 10-15 litres models)
- Built-in dielectric fitting
- Light indicator
- Grade of protection: IP24

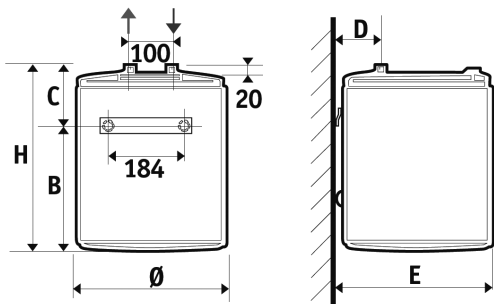
| | | Storage models | | | | | |
|-----------------------|-----|----------------|-----------|-----------|-----------|------------|------------|
| | | V530 | V550 | V580 | V510 | 0580 | 0510 |
| Capacity | l | 30 | 50 | 80 | 100 | 80 | 100 |
| Installation | | Upright | Upright | Upright | Upright | Horizontal | Horizontal |
| Rating/Voltage | W/V | 1.200/230 | 1.200/230 | 1.200/230 | 1.500/230 | 1.500/230 | 1.500/230 |
| Adjustable thermostat | | external | external | external | external | external | external |
| Thermometer | | • | • | • | • | • | • |
| Height | mm | 623 | 610 | 854 | 1018 | 854 | 1018 |
| Diameter | mm | 338 | 433 | 433 | 433 | 433 | 433 |
| Net weight | kg | 10,3 | 16,5 | 21,5 | 25 | 19,8 | 21,4 |
| Class | | ☞ C | ☞ C | ☞ C | ☞ C | ☞ C | ☞ C |
| Load profile | | S | M | L | L | M | L |

| | | Storage models | | | |
|-----------------------|-----|--|---|--|---|
| | | V580 TD | V580 TS | V510 TD | V510 TS |
| Capacity | l | 80 | 80 | 100 | 100 |
| Installation | | Thermoelectric upright (right connection) | Thermoelectric upright (left connection) | Thermoelectric upright (right connection) | Thermoelectric upright (left connection) |
| Rating/Voltage | W/V | 1.500/230 | 1.500/230 | 1.500/230 | 1.500/230 |
| Adjustable thermostat | | external | external | external | external |
| Thermometer | | • | • | • | • |
| Height | mm | 854 | 854 | 1018 | 1018 |
| Diameter | mm | 433 | 433 | 433 | 433 |
| Net weight | kg | 26 | 26 | 29,5 | 29,5 |
| Class | | ☞ C | ☞ C | ☞ C | ☞ C |
| Load profile | | L | L | L | L |

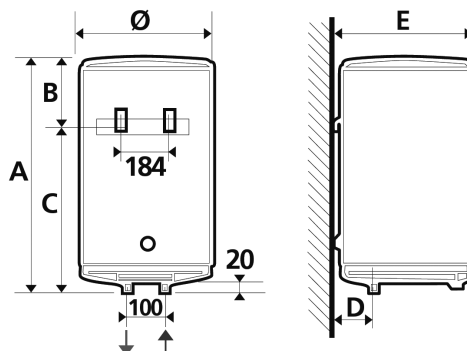
| | | Rapid models | | | |
|-----------------------|-----|--------------|------------|------------|------------|
| | | R501 | R501 SL | R515 | R515 SL |
| Capacity | l | 10 | 10 | 15 | 15 |
| Installation | | Above sink | Under sink | Above sink | Under sink |
| Rating/Voltage | W/V | 1.200/230 | 1.200/230 | 1.200/230 | 1.200/230 |
| Adjustable thermostat | | external | external | external | external |
| Height | mm | 456 | 456 | 399 | 399 |
| Diameter | mm | 255 | 255 | 338 | 338 |
| Net weight | kg | 6 | 6 | 7,4 | 7,4 |
| Class | | ☞ B | ☞ B | ☞ B | ☞ B |
| Load profile | | XXS | XXS | XXS | XXS |

Rapid

10-15 lt under sink

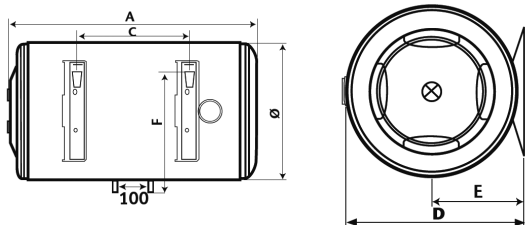


10-15 lt above sink

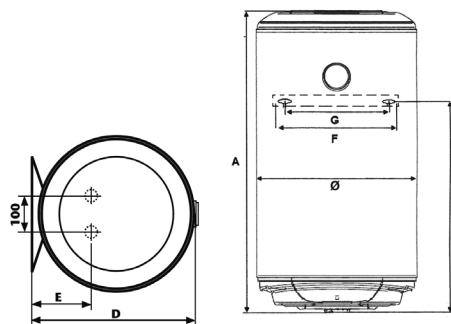


Storage

horizontal 80-100 lt



upright 30-50-80-100 lt



| Mod. | Capacity (lites) | A/H | Ø | B | C | D | E | F | G |
|----------|------------------|------|-----|-----|-----|-----|-----|---------|---------|
| R 501 SL | 10 | 456 | 255 | 238 | 218 | 64 | 262 | - | 184 |
| R 501 | 10 | 456 | 255 | 166 | 290 | 64 | 262 | - | 184 |
| R 515 SL | 15 | 399 | 338 | 235 | 164 | 81 | 345 | - | 184 |
| R 515 | 15 | 399 | 338 | 163 | 236 | 81 | 345 | - | 184 |
| V 530 | 30 | 623 | 338 | - | 423 | 350 | 86 | 100/320 | 240/272 |
| V 550 | 50 | 610 | 433 | - | 380 | 451 | 165 | 100/320 | 240/272 |
| V 580 | 80 | 854 | 433 | - | 585 | 451 | 165 | 100/320 | 240/272 |
| V 510 | 100 | 1018 | 433 | - | 785 | 451 | 165 | 100/320 | 240/272 |
| O 580 | 80 | 854 | 433 | - | 395 | 451 | 234 | 365 | 240/272 |
| O 510 | 100 | 1018 | 433 | - | 555 | 451 | 234 | 365 | 240/272 |
| V 580 TD | 80 | 854 | 433 | - | 585 | 451 | 165 | 100/320 | 240/272 |
| V 510 TD | 100 | 1018 | 433 | - | 785 | 451 | 165 | 100/320 | 240/272 |
| V 580 TS | 80 | 854 | 433 | - | 585 | 451 | 165 | 100/320 | 240/272 |
| V 510 TS | 100 | 1018 | 433 | - | 785 | 451 | 165 | 100/320 | 240/272 |

Dimensions in mm



Quality
Environment
Safety

are Baxi strategic aims and the awarded certifications ensure compliance with the specific regulations

BAXISPA

36061 BASSANO DEL GRAPPA (VI) - ITALY
Via Trozzetti, 20
marketing@baxi.it
www.baxi.it

The Company assumes no responsibility for any possible contents mistakes, and reserves the right to make changes in products, due to technical or commercial demands, at any time without notice.

Baxi S.p.A. 03-18(E) G

