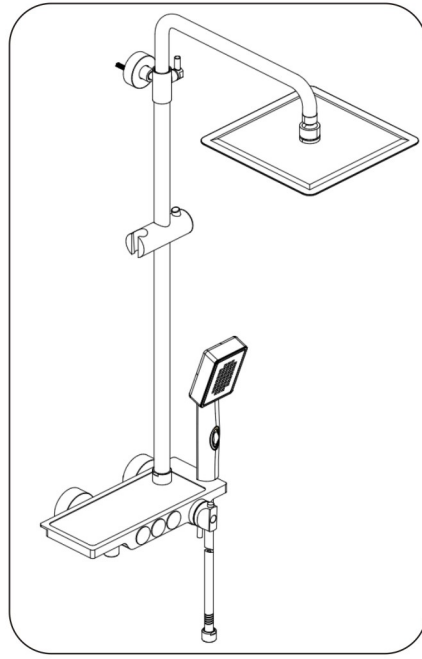


Shower Mixer Fast Installation Instruction

Shower set



2. Installation Condition

After opening the product package, please compare it with Standard Accessories List to check whether the components are completely packed. In case of any loss or damage, please contact the local distributor promptly.

The installation dimension of the purchased tap should be well-matched with that of pre-embedded water inlet pipe.

The main part of tap has been inspected and debugged by the factory. Please DO NOT dismantle without authorization, to avoid affecting the normal use.

When connecting the tap to the cold and hot water pipes, please pay special attention that the pipe on the left is for hot water, and the pipe on the right is for cold water. In case of wrong connection, it will be opposite with the prompt identifications in red and blue on the handle.

Please make sure to remove the impurity and sludge in the pre-embedded pipeline prior to installation of tap, to avoid blocking and affecting the normal use.

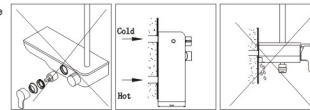
Turn on the water upon installation, and then check whether the joint is tightened to guarantee zero leakage.

Please DO NOT use the product for a long term under the high temperature exceeding 90 °C.

Applicable water pressure: 0.05Mpa~0.75Mpa



KIND TIPS: 1. Suggest that faucets are fitted in two months after the completion of your house decoration.
2. Suggest don't fit the faucet in the severely corrosive environments; if needed, please often clean the faucet surface in order to maintain its service life.

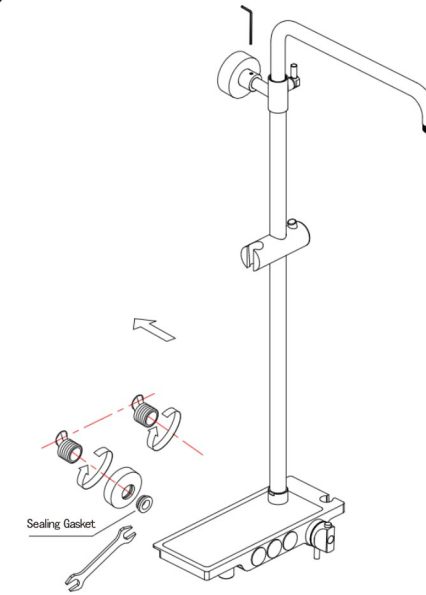


2



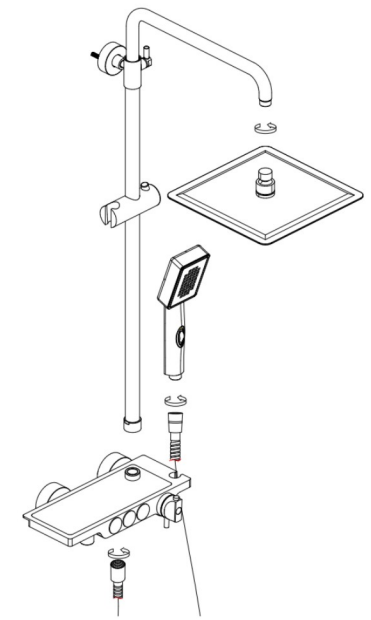
Measure the position of upper fixed point based on the basic dimension of the product, and then drill a hole on the wall and dig in self-tapping colloidal particles, and lock the fixed base on the wall with self-tapping screws.

3



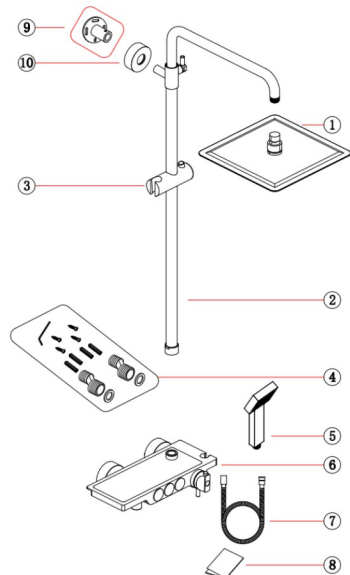
Embed the rubber blanket in black into the connecting pipe of main body, place the assembled pipe into the main body, and then install the assembled tap on the eccentric connector. If the position is not well-matched, the eccentric connector can be properly adjusted. Upon installation, tighten the jackscrew below with small hexagon wrench to prevent against loose and fall-off. Embed the fixed support into the fixed base, lid the decoration cover, tighten with inner hexagon wrench, and then adjust the height of seven-type pipe to be suitable. Rotate to tighten the fastening handle of the fixed base as shown in the figure.

4



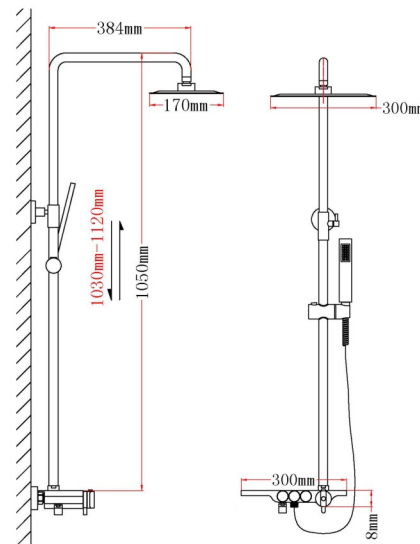
Connect the top shower to the large water outlet bend to ensure the fixed connection, and then connect the shower hose with the main body of tap and hand shower.

2. Standard Part List



No.	Part Name	Quantity
1	Top Shower	1
2	Main Pipe	1
3	Shower Seat	1
4	Eccentric Nipple	1
5	Hand Shower	1
6	Faucet Body	1
7	Shower Hose	1
8	Instruction Manual	1
9	Upper Seat	1
10	Decorative Cover	2

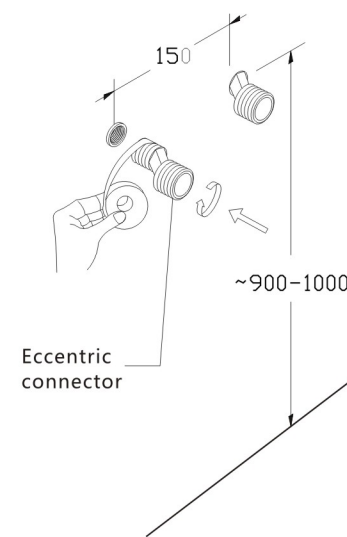
3. Essential Dimension Diagram



Our company all along enhance and improve its product design and the performance policy unceasingly; And retain to its product specification change authority; Do no inform at the appointed time.

4. Installation Step

1



Eccentric connector should be connected with the pre-embedded water outlet pipe connector after being wrapped with thread seal tape (the distance between two water outlet connectors is 150mm, and it is away from the ground for 900-1,000 mm).

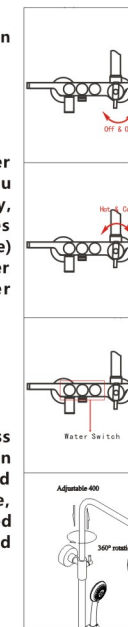
5. Application Instruction

Turn on the water to inspect whether there is any leakage in the connections.

Turn the lower rotary switch (the back one) to adjust the water flow: Turn the handle to the right to turn it on. The more you turn to the right, the greater the flow of water. Conversely, the more you turn to the left, the smaller the flow until it closes (as shown in Figure 1); Turn the upper rotary valve (the front one) to adjust the water temperature: Turn in the red direction, water temperature increases; turn in the blue direction, water temperature drops (as shown in Figure 2).

After adjusting the water temperature and flow you need, press the diverter to control the water outlet direction (as show in Figure 3): the left one for lower spout, the middle one for hand shower and the right one for the head shower. After each use, the rotary flow valve can be closed directly, and it can be used to release water when it is used again, the water temperature and water outlet mode set at the last time are used by default.

After the product is installed (See Figure 4), rise or lower the seven-type pipe based on the basic dimension of the product and your habit, to reach the height comforts you.



6. Care and Maintenance

In order to keep the mixer surface bright, please keep often or regularly to clean the mixer.

- Wash faucet with clean water, and wipe with soft cotton cloth.
- Avoid using cleaning powder, harsh cleaning chemicals, brushes, and cloth with coarse surface to prevent scratching and corrosion.
- Do not use acidic cleaning agents for washing the faucet as it may cause corrosion on the surface of faucet. Rinse off with water immediately if the faucet in contact with harmful acidic agents.
- When use, please do not pull the shower hose forcibly, in order to avoid the hose cracks.

If must carry on the massive clearing, please obey the following procedure:

- Use clear water and the soft cloth, eliminate the superficial dirt and the filthy membrane as far as possible;
- Uses the any following cleanser to remove the superficial dirt and the filthy membrane;

- Temperate liquid cleanser.
- The colorless glass cleaner, does not have the powdery cleanser which the abrasive action and can dissolve completely (according to instruction mix).
- Polish liquid which does not abrasive action.

After cleanly, please remove the complete cleansing agent with the clear water, and wipes with soft cotton fabric.

