

COOL - INSET BATH TUB

CODE:RB.TGN.0BS121.AC.PH

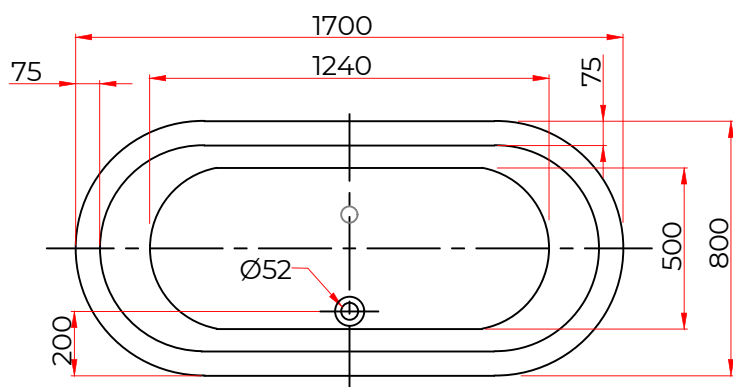


Features

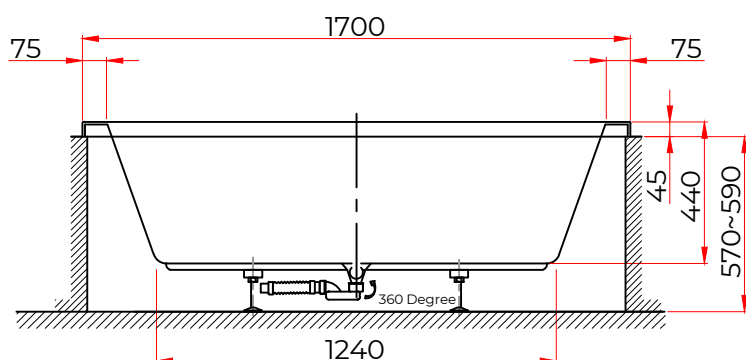
- Insert bath
- Made from easy to clean sanitary grade acrylic
- Fibreglass laminate reinforced for optimum strength
- Adjustable feet for levelling.
- Requires a 40mm waste (not included)
- Top fix bath waste & low profile bath trap
- Dimensions: L1700 X W800 X D440 ±10MM

Technical Details

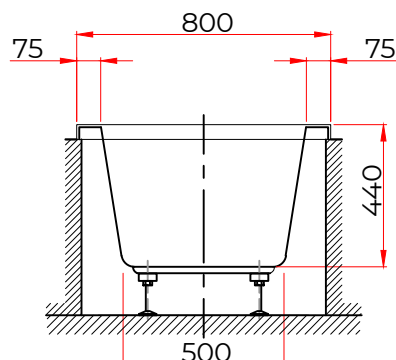
Note: All measurements shown are in millimetres. Sizes are nominal.



TOP VIEW



FRONT VIEW



SIDE VIEW