



## URBAN PAPER HOLDER WITH LID

PRODUCT ID

IDC-A0307

### FEATURES

- Brass Body
- Chrome Finish

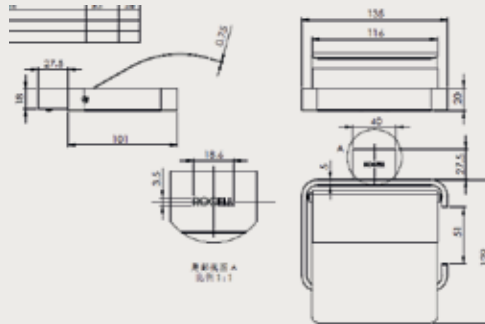
### REMARKS

- Installation type - Wall hung
- Test method - NSS: 200h

### WARRANTY

- ROCELL BATHWARE guarantees all its Chrome plated ranges of bathroom accessories for a period of 05 years from the date of purchase against defects of work or materials. The guarantee is only offered when products are installed and cared for in line with proper fitting and maintenance methods.

### TECHNICAL DRAWING



Royal Ceramics Lanka PLC.

No.20, R.A. De Mel Mawatha, Colombo 03, Sri Lanka.

☎ 076 6 223 344 ✉ info@rcl.lk 🌐 www.rocell.com

FOLLOW US



For more details



\*\* Dimensions of fixtures are nominal and may vary within the range of tolerance.

These measurements are subject to change or cancellation. No responsibility is assumed for use of superseded or voided leaflet.