




INSTALLATION INSTRUCTION

AFTERCARE

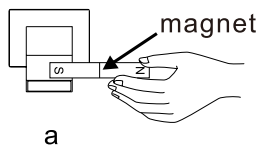
Whilst modern plating techniques are used in the manufacture of this product , the surface will be affected if cleaned incorrectly.

Surfaces should be maintained using a clean damp cloth ,no abrasive agents or materials should be used or come into contact with the surface finish , or this will invalidate your guarantee.



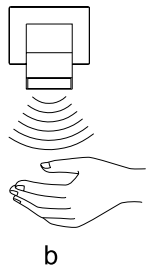
TECHNICAL SPECIFICATION

Item No.	RB.TRC.0FA600.CB.PG
Description	Sensor Tap
Power	DC: 6V (4AA alkaline battery) AC: 220V-240V; 50/60HZ
Power Consumption	DC: Standby: $\leq 0.2\text{mW}$ AC: Standby: $\leq 2\text{W}$; Active: $\leq 5\text{W}$
Sensing Distance	$25 \pm 2\text{CM}$ (base on 30X30CM white board)
Water Pressure	0.05MPa-0.7MPa
Temperature	1°C-55°C
Dia.of inlet pipe	G1/2"
Flux	0.05-0.125L/s



Sensor range adjustment:

A, Approach the magnet to the sensor, the LED light blinks.

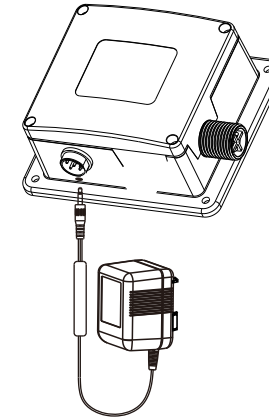


B, Position your hand at the appropriate distance, the sensor will be self-adjusting the range automatically.

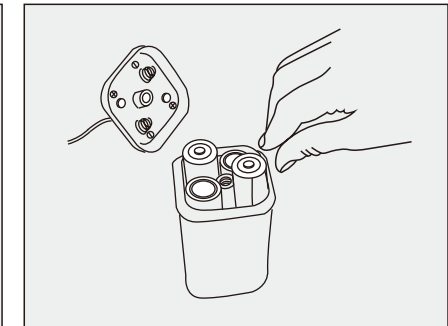
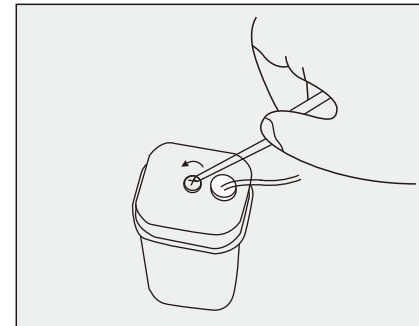
INSTALLATION STEP

Power connection

- AC: Connect the transformer

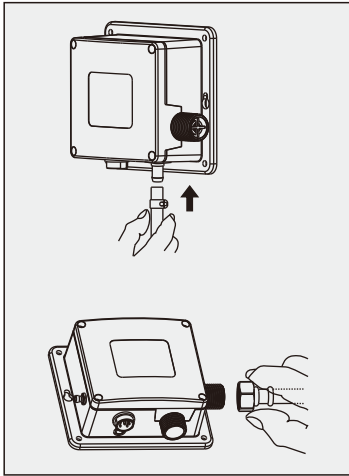


- DC: Install 4AA alkaline battery into the battery box.



INSTALLATION STEP

Hose connection



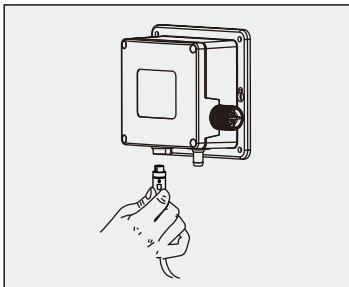
1, Connect flexi hose from faucet to outlet of control box, squeeze clamp over hose and slide pipe onto outlet of control box then release clamp to secure.

2, Connect stop valve to inlet of control box.

Note:

Be sure no water leakage after connecting hose

Cable connection

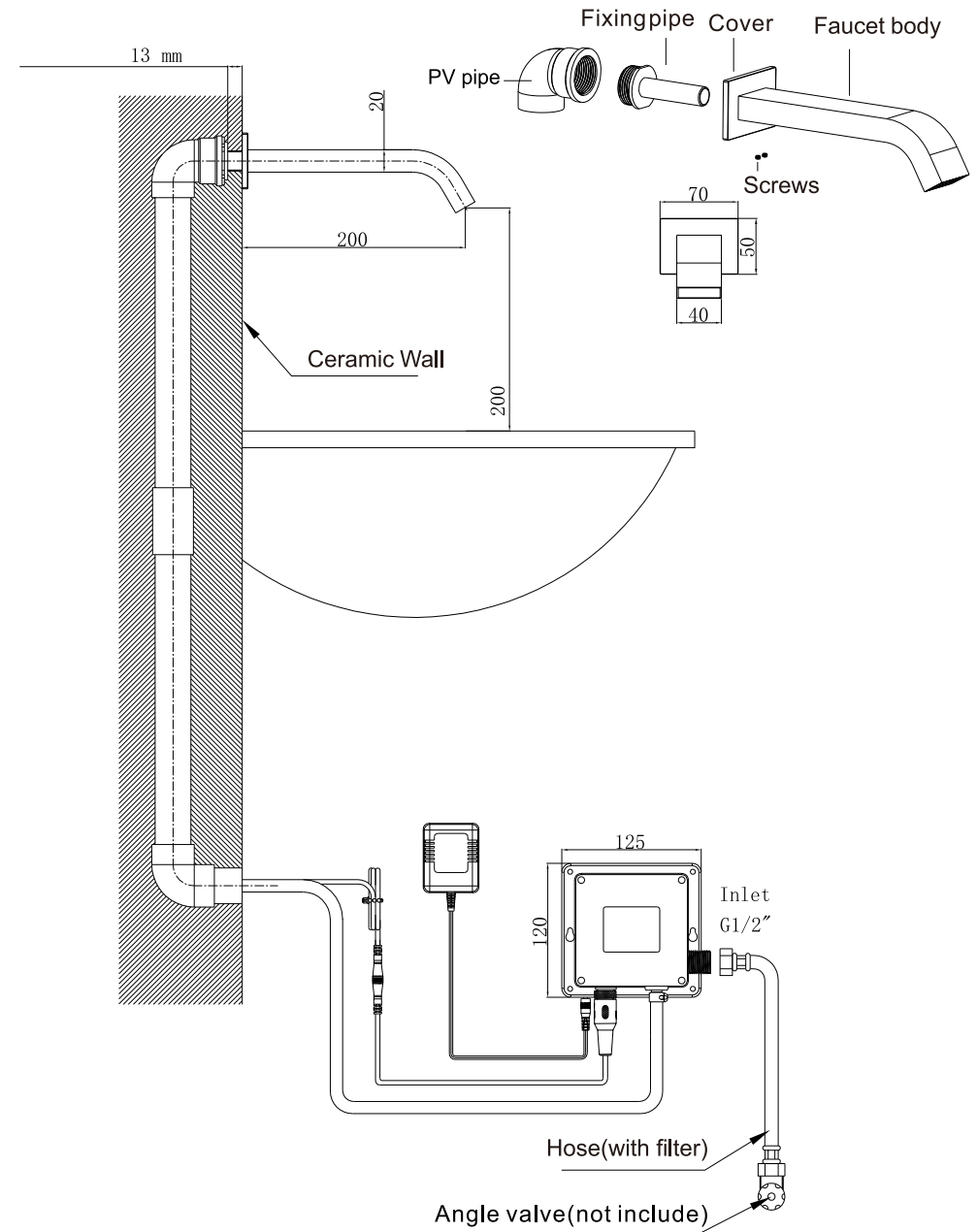


Connect cable with control box, then screw tightly

Note:

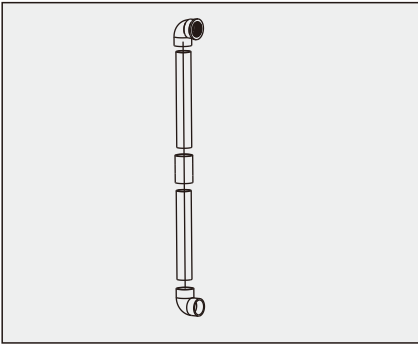
Should keep the cable clear and dry, be sure to work normally

PARTS NAME

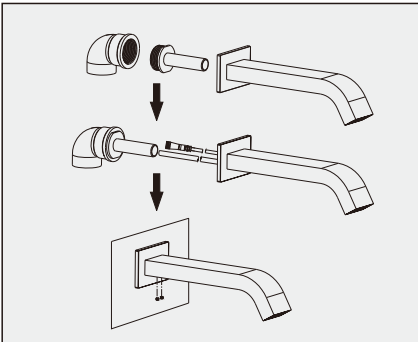


INSTALLATION STEP

Faucet body installation



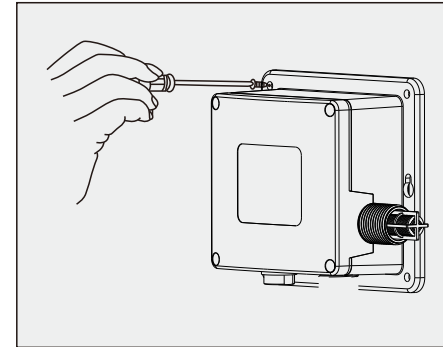
1. Fit the plastic pipe into the slot in the wall,



2. Push the sensor cable and flexi hose through the pipe, and fix the faucet body.

INSTALLATION STEP

Control box installation



1. Put the control box on wall, drill four holes, then insert the plastic bulged tube.

2. Fix the control box on wall by screw.

Note:

1. Please close the water supply and power supply before install.

2. Be sure to install control box correct, don't put upside down.

3. For easy to maintain, should be choose the suitable place install control box.

Meanwhile, It must less than 50cm distant from the basin.

(Please check the following picture)

