

SENSOR MIXER



COLD WATER SENSOR TAP

PRODUCT ID
SD9B033

FEATURES

- Brass Body
- Chrome Finish

INCLUDED COMPONENTS

- Neoperl Aerator
- Sensor Window and Valve
- A pair of Stainless Steel Flexible Hoses 1/2" Connection

FLOW RATE: L/MIN

Water pressure	1bar	2bar	3bar	4bar	5bar
1bar~5bar (L/MIN)	7.9	19.2	14.6	16.0	18.0

REMARKS

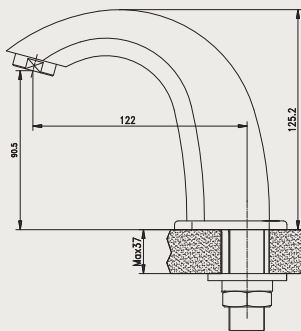
- Quality standard apply with EN 817 regulation
- Plating thickness passes NSS 200H test under lab conditions

WARRANTY

- ROCELL BATHWARE guarantees all its Chrome plated ranges of mixers and taps for a period of 1 year from the date of purchase against defect of work or materials, except for the electronic parts and the internal components such as ceramic cartridges, headworks and thermostatic cartridges which are guaranteed for a period of 2 years.

The guarantee is only offered when products are installed and cared for in line with proper fitting and maintenance methods.

TECHNICAL DRAWINGS



Royal Ceramics Lanka PLC.

No.20, R.A. De Mel Mawatha, Colombo 03, Sri Lanka.

☎ 076 6 223 344 ✉ info@rcl.lk 🌐 www.rocell.com

FOLLOW US



** Dimensions of fixtures are nominal and may vary within the range of tolerance. These measurements are subject to change or cancellation. No responsibility is assumed for use of superseded or voided leaflet.