

PRODUCT IMAGES

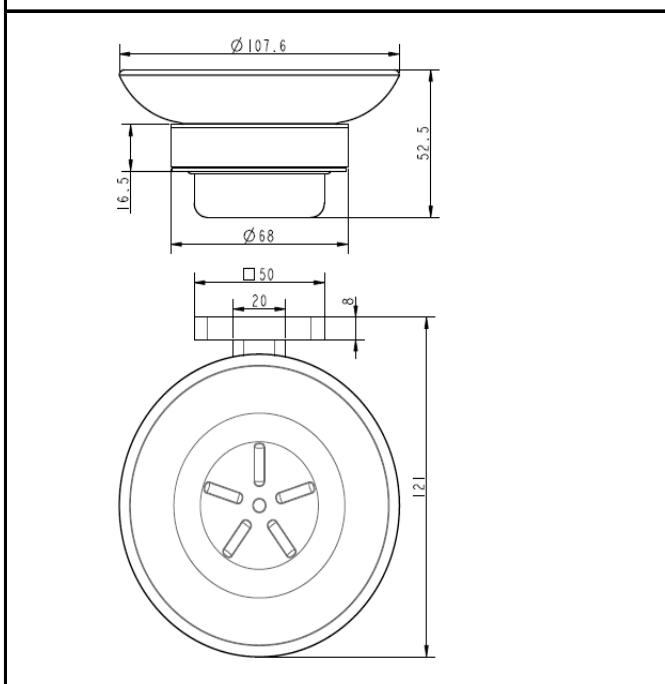


PRODUCT FEATURES

Type: Soap Holder

Code: IDC-A0727

TECHNICAL DRAWING



Material: Brass parts, Glass Cup

Finishing: Chrome

SPECIFICATION

Installation Type: wall-hung

Test NSS: 200h