

SENSOR OPERATED

Smartflow M04A



M04A



M04AC



M04ACS

General description

- The economic line of Smartflow® hand dryers is one of the most compact in the market, designed for locations that because of their size require small sized washroom accessories that meet two requirements: low consumption and optimum hand drying.
- These units are automatic dryers that offer an optimum relationship between functionality and price. Because of its features and design, this economic line is intended to be installed in areas with a medium traffic of people like for example medium sized restaurants, cafeterias or the offices of a small or medium sized company.
- Three models with different finishes are available: White, bright and satin. All of them with an ABS resistant cover and electronic detection sensor by infrared beam with adjustable distance detection, that allows a better adaptability to different types of washrooms.
- These dryers also provide maximum safety, with a safety thermal cut off installed in the motor and another one in the dryer's heating element.

Components & materials:

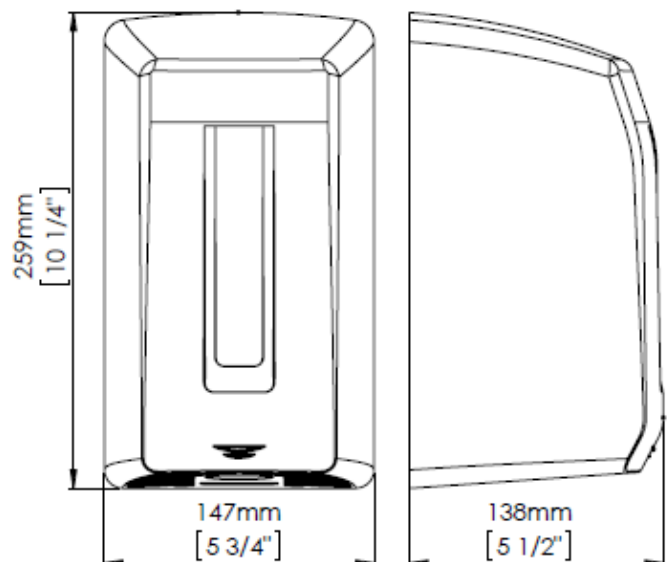
- **M04A:** White ABS thermoplastic one-piece cover, 3 mm thick. Cover fixed to the base by means of 2 screws.
- **M04AC:** Bright finish ABS thermoplastic one-piece cover, 3 mm thick. Cover fixed to the base by means of 2 screws.
- **M04ACS:** Satin finish ABS thermoplastic one-piece cover, 3 mm thick. Cover fixed to the base by means of 2 screws.
- Thermoplastic PP + Talcum base plate, with 4 Ø 6 mm holes for wall mounting.
- Universal brush motor, 15,000 rpm, which includes a safety thermal cut-off.
- Fire resistant plastic PP-V0 helicoidal fan wheel.
- Waved wire NiCr heating element on a mica frame that incorporates a safety thermal cut-off.
- Fully adjustable (5-25 cm) IR electronic detection sensor by means of a potentiometer.

Technical Specifications:

Voltage	220- 240 V
Frequency	50/60 Hz
Electrical Isolation	Class II
Total power	1,100 W
Consumption	4.8 A
Motor power	150 W
Rpm	15,000
Heating element power	950 W
Dimensions	259x147x138 mm.
Weight	1.2 Kg
Cover thickness	3 mm
Drying time	39 sec.
Effective airflow	102 m ³ /h (1,700 L/min)
Air velocity	100 Km/h
Air temperature (10 cm distance/21°C)	55 °C
Sound pressure ^(*) (at 2m)	67 dBA
Protection rating	IP23

(*) According to UNE EN ISO 11201:2010 V2 standard.

Dimensions:



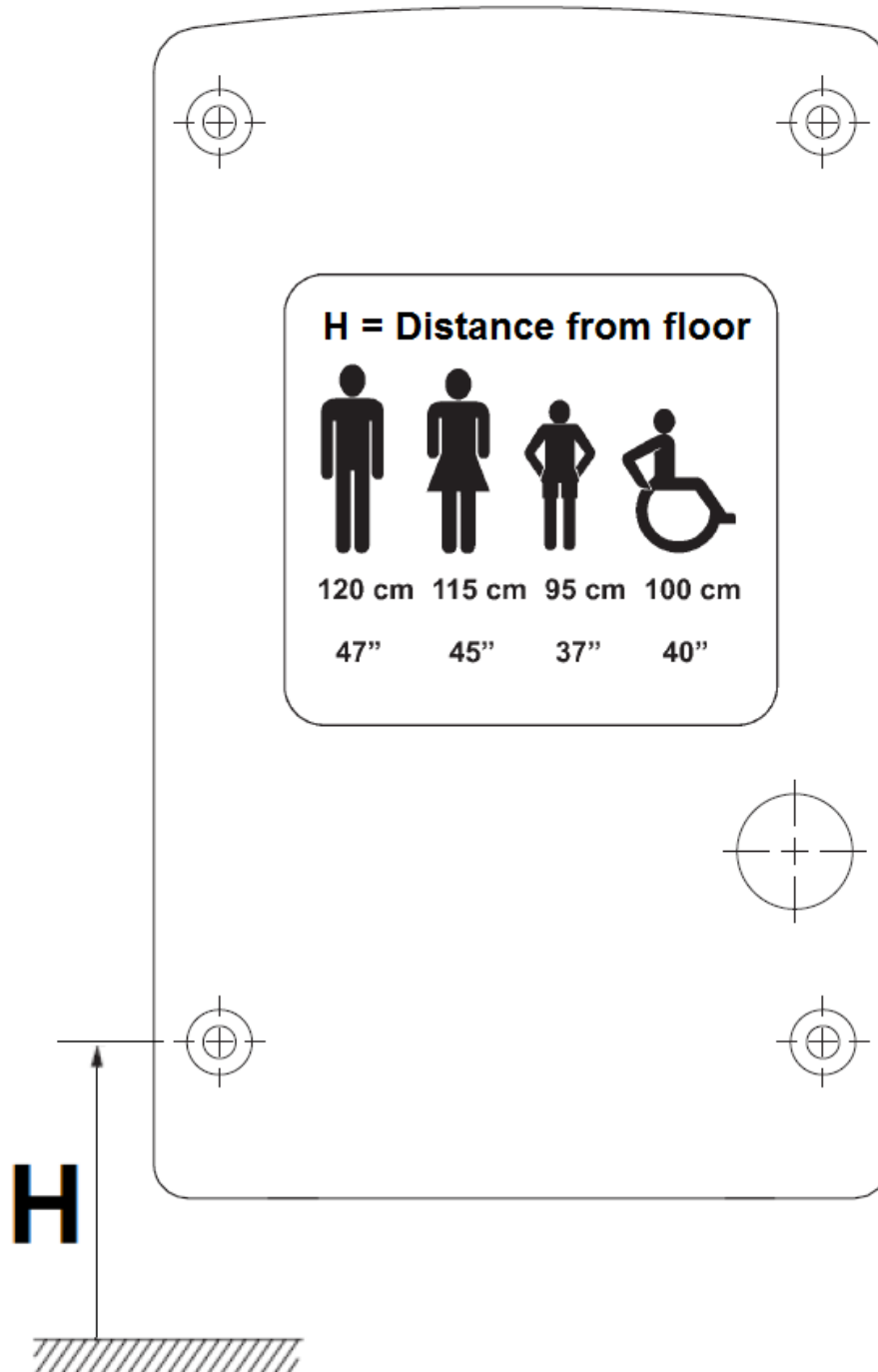
Dim. ± 4%

Operation

Place the hands under the air outlet. The dryer will start automatically, and go on with no interruption as long as the hands are kept in the detection range of the sensor. The appliance will stop 2 seconds after the hands are removed from the airflow.

Mounting

Recommended heights distance from the floor



Certificates & Qualifications

