

ALANTO



SINGLE COLD TAP

PRODUCT ID
Z071002

FEATURES

- Brass Body
- Chrome Finish

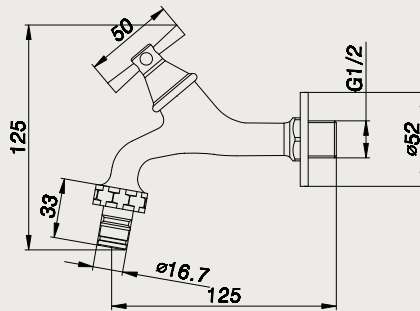
REMARKS

- Inside Nominal Diameter: G 1/2
- Applicable inlet pressure: 0.05Mpa - 1.0Mpa
- Best reference pressure: 0.3Mpa-0.6Mpa
- Applicable temperature: <90°C
- Package: Neutral Packing
- PCS/ CTN: 36pcs
- CBM/CTN: 0.06m³
- G.W. / CTN: 12.3kg

WARRANTY

•

TECHNICAL DRAWINGS



Royal Ceramics Lanka PLC.

No.20, R.A. De Mel Mawatha, Colombo 03, Sri Lanka.

☎ 076 6 223 344 ✉ info@rcl.lk 🌐 www.rocell.com

FOLLOW US



** Dimensions of fixtures are nominal and may vary within the range of tolerance. These measurements are subject to change or cancellation. No responsibility is assumed for use of superseded or voided leaflet.