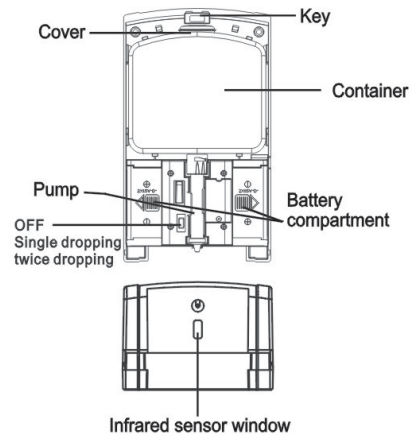


# RB.TRC.0BA100.CB.PE

## User Manual



### • FUNCTION INSTRUCTION



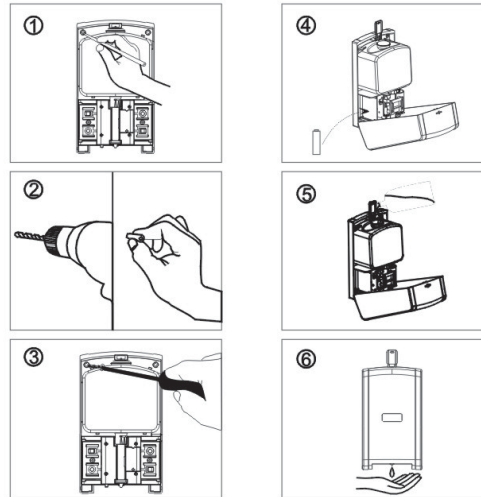
### • SPECIFICATION

OUTER SIZE	L150*W108*H259MM
CAPACITY	1300ml
SINGLE DROPPING	0.8 -1ml
TWICE DROPPING	1.6 -2ml
WEIGHT	840g
MATERIAL	ABS、AS
BATTERY	4X1.5V “D”

### • TECHNO-PARAMETER

ELECTRICAL SOURCE VOLTAGE	DC6V
STATIC CURRENT	90uA
WORKING CURRENT	200mA
EFFECT DISTANCE	0-12cm

### • INSTALLATION SHOW



### • FEATURES & INSTALLATION NOTES

1. Do not install the dispenser above the Mirror surface or above flowing water.
2. Do not install the dispenser with less than 2 inch (50cm) height beneath the table.
3. The sensor is at the base of dispenser. The effect range is from 0-10cm underneath the sensor.
4. The product is design for indoor use only. Direct sunlight or exposed locations can destroy the infrared sensor of the product .
5. Low voltage indicator when you find LED light twinkle continually while dispenser on standby mode,battery replace is necessary.
6. Do not use the alcohol or other chemistry liquid.
7. This product doesn't have waterproof function, please place product far from dampness.

### • INSTALLATION AND USE

1. Use the mounting plate as a template to mark the Position.
2. Drill two 5mm holes and insert plugs into the holes. (Figure 2)

3. Fasten the mounting plate on the wall with the provided screws. (Figure 3)
4. Insert 4pcs batteries into battery compartment with proper polarity as shown on compartment (Alkaline battery is recommended). (Figure 4)
5. Open the cover and fill in the liquid to the container(Figure 5)
6. Put your hand under the sensor 0-10cm,and let the dispenser to start working for continuously until liquid soap come out from nozzle (figure 6). (When you use dispenser at first time, there was some air in the pump, you need work dispenser several times until liquid soap drop down.)

### • IF DISPENSER DOESN'T WORK

1. Check the battery whether the power use up or not at the right polarity.
2. Power switch turn off.

### • IF DISPENSER DOESN'T DROP

1. You must operate dispenser several times When you first use it.
2. The liquid will congealed in winter, you need fill in some warm water (about 60 °C) , several minutes later you can operate it.
3. Perhaps no liquid.

### • CLEANING

1. If there is dust in the container, please clean the container then refill the liquid.
2. Do not use water to wash the dispenser, clean the surface use wet towel; use dry towel to clean the battery compartment.
3. If you no use, please fill in some water, then operate dispenser several times to cleaning the output pipe and take out the battery.
4. If liquid was congaealed, fill in some warm water, wait few minutes, then operate dispenser and push out the water.