

PRODUCT FACT SHEET

COLLECTION-ALANTO

PRODUCT IMAGES



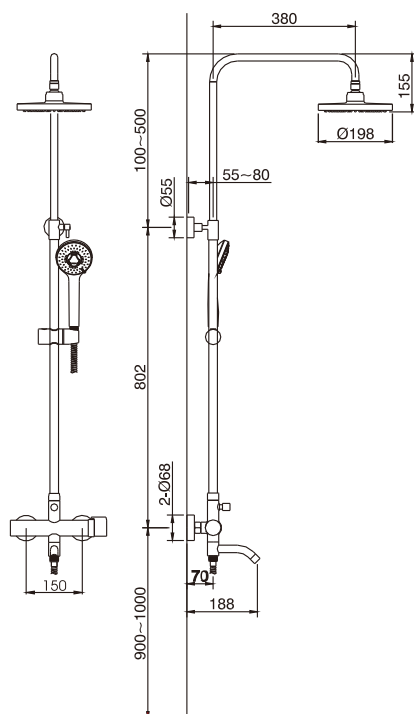
PRODUCT FEATURE

Type: Three function shower set
 Code: 083360
 Finishing: Chrome
 Material: Body: Brass
 Handle: Zinc alloy
 Shower tube: Stainless steel
 Shower hose: Stainless steel
 Head shower: ABS
 Hand shower: ABS
 Shower holder: ABS

REMARKS:

Inside Nominal Diameter: G 1/2
 Applicable inlet pressure: 0.05Mpa - 1.0Mpa
 Best reference pressure: 0.3Mpa - 0.6Mpa
 Applicable temperature: <90°C
 Package: Neutral Packing
 Packing Size: 900*335*730mm
 PCS/CTN: 4pcs
 CBM/CTN: 0.22m³
 G. W. /CTN: 20.80kg

TECHNICAL DRAWING



FLOW RATE: L/MIN

Water pressure	1Bar	1.5Bar	2Bar	3Bar
Head shower	6.6	8.4	9.6	12
Hand shower	6	7.8	9	11.93
Spout	5.98	7.2	8.4	10.8