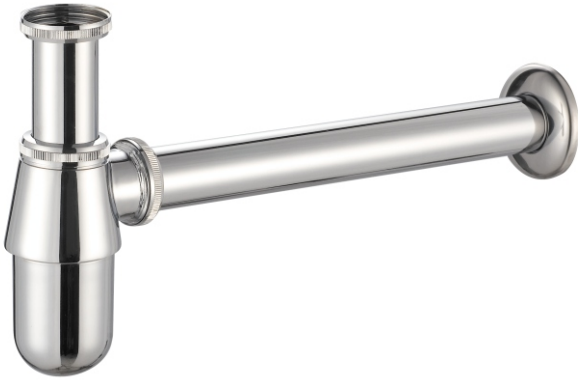


# PRODUCT FACT SHEET

## PRODUCT IMAGES



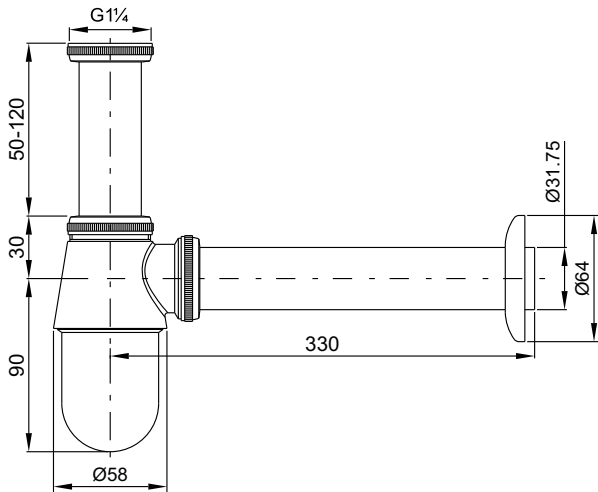
## PRODUCT FEATURES :

Type: Siphon  
Code: A181-A  
Material: Brass  
Finishing: Chrome

Brass siphon 1 1/4"

Plating thickness passes NSS 96H test under lab conditions!

## TECHNICAL DRAWING



## CARE AND MAINTENANCE

1. WASH REGULARLY, DYT WITH SOFT COTTON CLOTH.
2. DONT USE PUTTY-POWDER AND POLISHING POWDER WHICH WASH WITH COARSE GRANULE.
3. DONT USE ACID WASH.
4. CLEARN THE DEPOSIT SEDIMENT REGULARLY .

## HOW TO CLEAN

1. WASH USE WATER AND SOFT COTTON CLOTH.
2. USE FOLLOWING THE WASH:
  - CLIMATE LIQUIDS WASH.
  - NO COLOUR GLASS WASH.
  - SHINE WASH WITHOUT WEAR AND TEAR.
3. AFTER WASHING, USE THE WATER CLEARN, AND DRY BY SOFT COTTON CLOTH.

- IMPORTANT TO RETAIN FOR FUTURE RETAIN FOR FUTURE REFERENCE
- ACCORDING TO LOCAL PIPING AND CONTRUCTION INSTRUCTION.
- INLET PIPE NEED THE CORRECT LENGTH ACCORDING THE DISTANCE BETWEN THE OUTLET HOLE AND BASIN.
- BE CAREFULLY INSTALL THE NUT AND FLAT TO AVOID SCRATCH THE BODY AND TUBE.
- BE CAREFULLY INSTALL THE RUBBERTO AVOID LEAK WATER.