

# SUB ZERO



## WASH BASIN

PRODUCT ID  
(RB.SUZ.01G109.01.08)

Vitreous China above counter (self rimming) Wash Basin with an overflow hole and a single tap hole in centre.

### FEATURES

- Vitreous China wash basin
- Contemporary design
- Deep bowl for comfortable use
- Single tap hole in centre
- Front overflow hole
- Fulfills high design and quality expectations

### INCLUDED COMPONENTS

- Overflow hole cover
- Faucets not included

### WARRANTY

- 25 year written warranty against crazing and dunting

### STANDARDS APPLICABLE

- Specified model meets or exceeds the following:
- BS :3402:1969
  - BS :5506- 3:1977
  - BS EN :14688:2006

### TECHNICAL INFORMATION

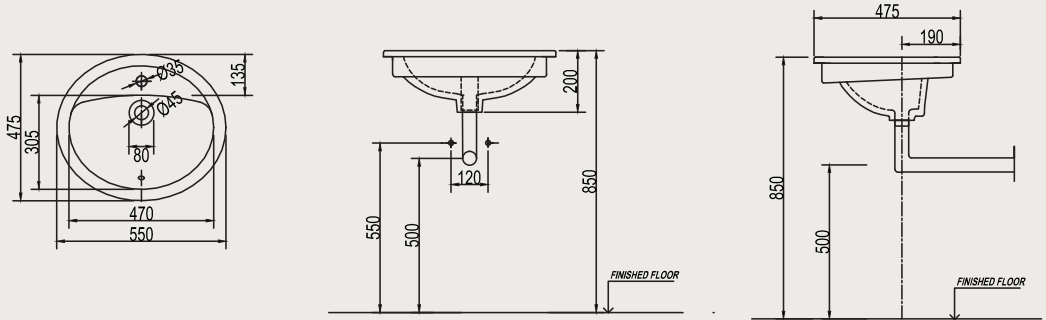
\*\* Approximate measurements for comparison only

CONFIGURATION	COUNTER TOP (SELF RIMMING) WASH BASIN
Weight	10.5 kg
Basin Area	470 X 305 X 145 mm
Height - Floor to Rim	850 mm
Nominal Dimensions	550 X 475 X 200 mm
Faucet Hole	35 mm
Waste Hole	45 mm
Water Depth	110 mm

# SUB ZERO WASH BASIN

## TECHNICAL DRAWINGS

All drawings contain the necessary measurements, which are subject to standard tolerances. They are stated in mm, are drawn on a scale of 1:20 and are non-binding. Exact measurements, in particular for customized installation scenarios, can only be taken from the finished ceramic piece.



## INSTALLATION NOTES

- Install this product according to the installation guide
- Scan for instructions



Royal Ceramics Lanka PLC.

No.20, R.A. De Mel Mawatha, Colombo 03, Sri Lanka.

☎ 076 6 223 344 ✉ info@rcl.lk 🌐 www.rocell.com

FOLLOW US



\*\* Dimensions of fixtures are nominal and may vary within the range of tolerance. These measurements are subject to change or cancellation. No responsibility is assumed for use of superseded or voided leaflet.