

DUNE



WASH BASIN

PRODUCT ID

DU11013 / DU22013 (RB.DUN.01G101.01.09 / RB.DUN.02G102.01.10)

Vitreous China floor standing wash basin with universal height pedestal (Pedestal Lavatory), overflow hole and single tap hole in centre.

FEATURES

- Vitreous China wash basin with pedestal
- Contemporary design
- Single tap hole in centre
- Deep bowl for comfortable use
- Rear overflow hole
- Universal height pedestal

INCLUDED COMPONENTS

- Wash basin fixing kit
- Overflow hole cover
- Faucets not included

WARRANTY

- 25 year written warranty against crazing and dusting

STANDARDS APPLICABLE

- Specified model meets or exceeds the following:
- BS - 3402 : 1969
 - BS EN 14688 : 2006
 - BS 5506 - 3 : 1977
 - BS EN 31: 1999

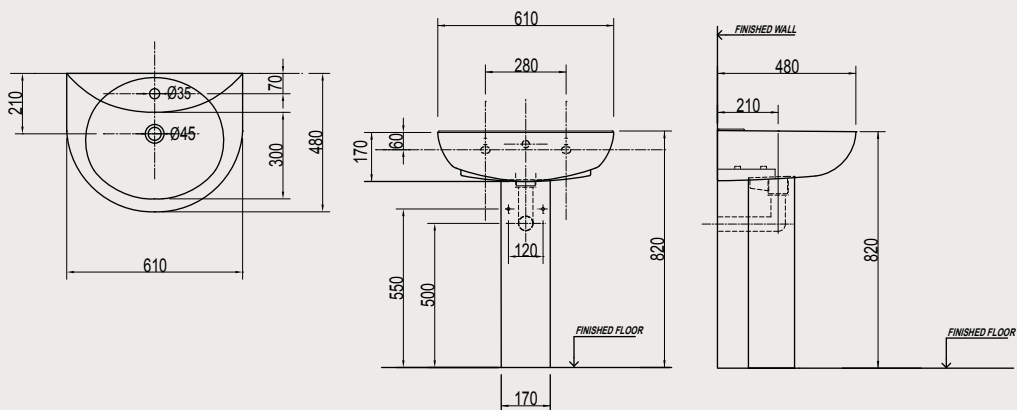
TECHNICAL INFORMATION

** Approximate measurements for comparison only

CONFIGURATION	WASH BASIN WITH PEDESTAL
Weight (basin + pedestal)	25.5 = 10 + 15.5 kg
Basin Area	475 X 300 X 150 mm
Height - Floor to Rim	820 mm
Nominal Dimensions	610 X 480 X 820 mm
Faucet Hole	35 mm
Waste Hole	45 mm
Water Depth	95 mm

DUNE WASH BASIN

TECHNICAL DRAWINGS



INSTALLATION NOTES

- Install this product according to the installation guide
- Scan for instructions



Royal Ceramics Lanka PLC.

No.20, R.A. De Mel Mawatha, Colombo 03, Sri Lanka.

☎ 076 6 223 344 ✉ info@rcl.lk 🌐 www.rocell.com

FOLLOW US



** Dimensions of fixtures are nominal and may vary within the range of tolerance. These measurements are subject to change or cancellation. No responsibility is assumed for use of superseded or voided leaflet.