

DEW POINT



WASH BASIN

PRODUCT ID

(RB.DWP01G101.01.11 / RB.DWP02G101.01.02)

Vitreous China wall hung wash basin with half pedestal. Overflow hole and single tap hole in centre.

FEATURES

- Vitreous China wash basin with overflow hole
- Contemporary design
- Single tap hole in centre
- Deep bowl for comfortable use
- Fulfills high design and quality expectations

INCLUDED COMPONENTS

- Wash basin fixing kit
- Half pedestal
- Pedestal fixing screws
- Overflow hole cover
- Faucets not included

WARRANTY

- 25 year written warranty against crazing and dunting

STANDARDS APPLICABLE

Specified model meets or exceeds the following:

- BS 3402 : 1969
- BS EN 14688 : 2006
- BS 5506 - 3 :1977
- BS EN 31:1999

TECHNICAL INFORMATION

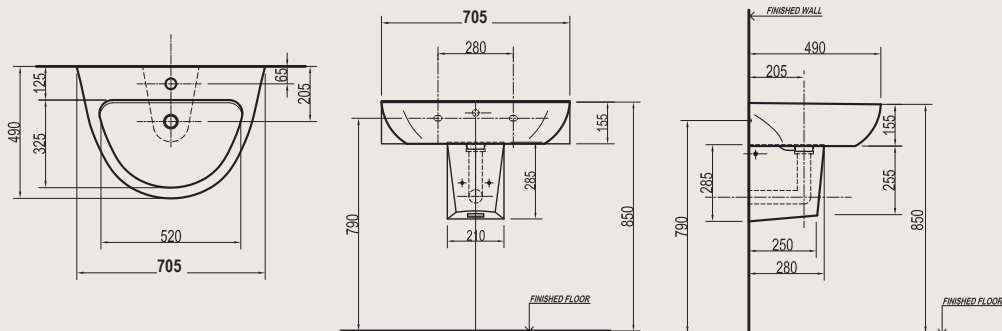
** Approximate measurements for comparison only

CONFIGURATION	WALL HUNG WASH BASIN WITH HALF PEDESTAL
Weight (WB + half pedestal)	23.5 = 7 + 16.5 kg
Basin Area	520 X 325 X 140 mm
Height - Floor to Rim	850 mm
Nominal Dimensions	705 X 490 X 195 mm
Faucet Hole	35 mm
Waste Hole	45 mm
Water Depth	100 mm

DEW POINT WASH BASIN

TECHNICAL DRAWINGS

All drawings contain the necessary measurements, which are subject to standard tolerances. They are stated in mm, are drawn on a scale of 1:20 and are non-binding. Exact measurements, in particular for customized installation scenarios, can only be taken from the finished ceramic piece.



INSTALLATION NOTES

- Install this product according to the installation guide



Royal Ceramics Lanka PLC.

No.20, R.A. De Mel Mawatha, Colombo 03, Sri Lanka.

☎ 076 6 223 344 ✉ info@rcl.lk 🌐 www.rocell.com

FOLLOW US



** Dimensions of fixtures are nominal and may vary within the range of tolerance. These measurements are subject to change or cancellation. No responsibility is assumed for use of superseded or voided leaflet.