

FLO



URINAL (BACK INLET)

PRODUCT ID

FL70013 (RB.FLO.07G100.01.03 / RB.TGN.0FS310.PL.PC)

Vitreous China wall mounted Urinal with back inlet water connection, modelled to be used with a mechanical flush valve.

FEATURES

- Vitreous China urinal
- Contemporary design
- Designed to be used with either sensor flush valve or manual flush actuator

INCLUDED COMPONENTS

- Mounting hardware
- Urinal Siphon
- Bolt caps

WARRANTY

- 25 year written warranty against crazing and dunting

STANDARDS APPLICABLE

- Specified model meets or exceeds the following:
- BS 3402:1969
 - BS EN 13407:2006

TECHNICAL INFORMATION

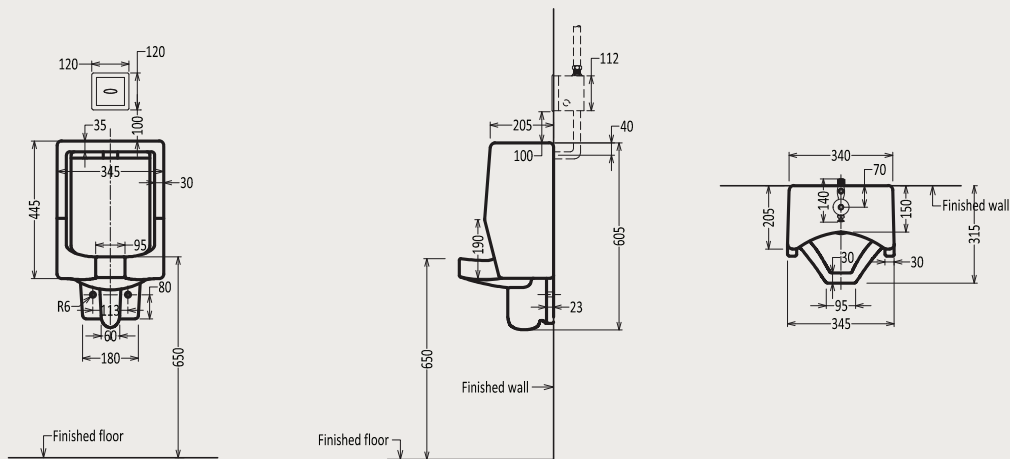
** Approximate measurements for comparison only

CONFIGURATION	WALL MOUNTED URINAL
Weight	20 kg
Height - Floor to Rim	650 mm
Nominal Dimensions	350 X 320 X 615 mm
Inlet Hole	35 mm
Waste Hole	40 mm

FLO - URINAL (BACK INLET)

TECHNICAL DRAWINGS

All drawings contain the necessary measurements, which are subject to standard tolerances. They are stated in mm, are drawn on a scale of 1:20 and are non-binding. Exact measurements, in particular for customized installation scenarios, can only be taken from the finished ceramic piece.



INSTALLATION NOTES

- Install this product according to the installation guide



Royal Ceramics Lanka PLC.

No.20, R.A. De Mel Mawatha, Colombo 03, Sri Lanka.

☎ 076 6 223 344 ✉ info@rcl.lk 🌐 www.rocell.com

FOLLOW US



** Dimensions of fixtures are nominal and may vary within the range of tolerance. These measurements are subject to change or cancellation. No responsibility is assumed for use of superseded or voided leaflet.