

ARTISAN BLEU



WASH BASIN

PRODUCT ID
(RB.ARB.01M107.15.07)

A floor standing Wash Basin, uniquely designed for floor or wall mounted faucets.

FEATURES

- Fine fire clay wash basin
- Contemporary design
- Deep bowl for comfortable use
- Designed for wall mounted taps
- Fulfills high design and quality expectations
- Faucets not included
- Stand not included

INCLUDED COMPONENTS

- Wash basin fixing kit
- Overflow hole cover
- Faucets not included

WARRANTY

- 25 year written warranty against crazing and dunting

TECHNICAL INFORMATION

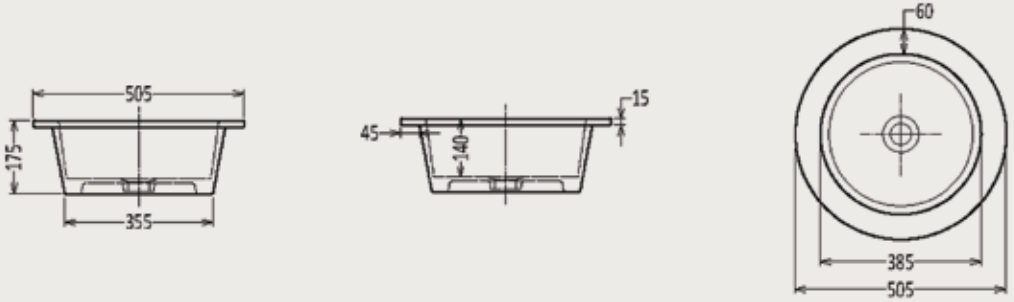
** Approximate measurements for comparison only

CONFIGURATION	WALL HUNG WASH BASIN WITH
Weight	11 kg
Basin Area	385 X 380 X 150 mm
Nominal Dimensions	500 X 500 X 180 mm
Waste Hole	45 mm
Water Depth	150 mm

ARTISAN BLEU WASH BASIN

TECHNICAL DRAWINGS

All drawings contain the necessary measurements, which are subject to standard tolerances. They are stated in mm, are drawn on a scale of 1:20 and are non-binding. Exact measurements, in particular for customized installation scenarios, can only be taken from the finished ceramic piece.



INSTALLATION NOTES

- Install this product according to the installation guide
- Scan for instructions



Royal Ceramics Lanka PLC.

No.20, R.A. De Mel Mawatha, Colombo 03, Sri Lanka.

☎ 076 6 223 344 ✉ info@rcl.lk 🌐 www.rocell.com

FOLLOW US



** Dimensions of fixtures are nominal and may vary within the range of tolerance. These measurements are subject to change or cancellation. No responsibility is assumed for use of superseded or voided leaflet.