

# GIULY



## BIDET

PRODUCT ID  
(RB.GUL.05G104.01.08)

Vitreous China floor standing Bidet with an overflow hole. Designed for deck mounted, single hole bidet faucets.

### FEATURES

- Contemporary design
- Vitreous China Bidet
- Integral overflow

### INCLUDED COMPONENTS

- Mounting hardware
- Bolt caps

### WARRANTY

- 5 year written warranty against crazing and dunting

### STANDARDS APPLICABLE

- Specified model meets or exceeds the following:
- BS 3402 : 1969
  - BS 5505 - 3:1977
  - BS EN 35: 2000

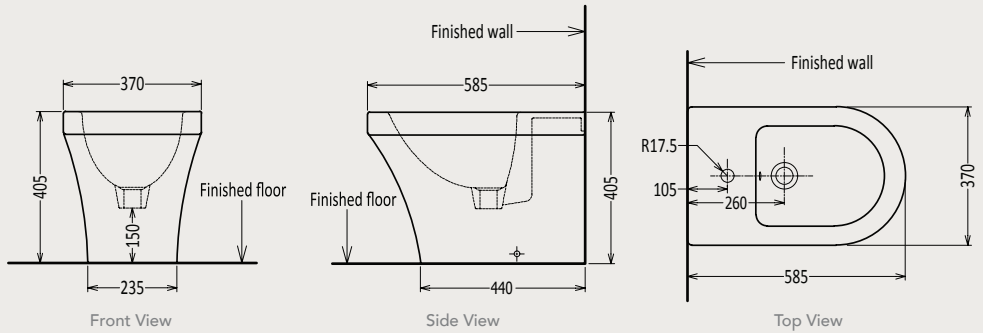
### TECHNICAL INFORMATION

\*\* Approximate measurements for comparison only

CONFIGURATION	FLOOR STANDING BIDET
Weight	26 kg
Bowl Size	340 X 270 X 205 mm
Height - Floor to Rim	405 mm
Nominal Dimensions	585 X 370 X 405 mm
Faucet Hole	36 mm
Waste Hole	45 mm

## TECHNICAL DRAWINGS

All drawings contain the necessary measurements, which are subject to standard tolerances. They are stated in mm, are drawn on a scale of 1:20 and are non-binding. Exact measurements, in particular for customized installation scenarios, can only be taken from the finished ceramic piece.



## INSTALLATION NOTES

- Install this product according to the installation guide
- This bidet is not furnished with a trap, provisions must be made for the installation of a trap

Royal Ceramics Lanka PLC.

No.20, R.A. De Mel Mawatha, Colombo 03, Sri Lanka.

☎ 076 6 223 344 ✉ info@rcl.lk 🌐 www.roccl.com

FOLLOW US

