

SLIDE



WATER CLOSET

PRODUCT ID

(RB.SLD.03G119.01.10 / RB.SLD.04G104.01.04 / RB.TSL.0PA660.DU.PA)

A vitreous china, floor standing, close coupled, Water Closet suite with a wash down 4.5/3 litre dual flushing system. Features a horizontal outlet and a cistern with water inlet from the bottom.

FEATURES

- Vitreous China water closet
- Contemporary design
- Flushing mechanism with duo water saving buttons
- Close coupled tank
- Bottom inlet
- Universal outlet
- Fully glazed trap way
- 100% factory vacuum tested

INCLUDED COMPONENTS

- Top mounted flush actuator
- Mounting hardware
- Flushing mechanism
- Seat and cover
- Bolt caps

WARRANTY

- 25 year written warranty against crazing and dunting

STANDARDS APPLICABLE

Specified model meets or exceeds the following:

- BS 3402 : 1969
- AS 1976 : 1992
- BS EN 997 : 2018
- AS 1172 : 2014
- BS EN 33 : 2019
- BS EN 14055 : 2018

SEAT AND SEAT COVER

Product ID - Duraplex :

- Ergonomically designed duraplex seat and cover with soft closing and quick release mechanism
- Soft close (controlled seat fall) – the seat cover closes slowly with no intervention by the user
- Seat and cover are strong, burn and scratch resistant, totally water proof
- Stainless steel hinges
- Quick release mechanism with lift off hinge design for easy cleaning
- UV protection



SLIDE WATER CLOSET

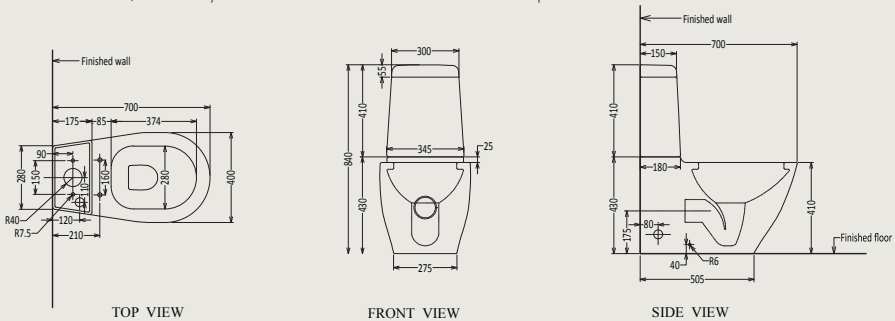
TECHNICAL INFORMATION

** Approximate measurements for comparison only

CONFIGURATION	WATER CLOSET
Water per flush	4.5/3 of water for solid waste and 3L of water for liquid waste
Water depth from rim	270 mm
Trap diameter	102 mm
Distance from floor to waste outlet center	124 mm
Distance between seat post hole centers	155 mm
Weight (WC+Tank)	41 + 12 kg
Bowl Size	374 X 280 X 208 mm
Nominal Dimensions	700 X 410 X 840 mm

TECHNICAL DRAWINGS

All drawings contain the necessary measurements, which are subject to standard tolerances. They are stated in mm, are drawn on a scale of 1:20 and are non-binding. Exact measurements, in particular for customized installation scenarios, can only be taken from the finished ceramic piece.



INSTALLATION NOTES

- 97 mm -107 mm waste outlet is required for this installation
- 2 cm gap between the toilet and the wall is required
- This toilet must be secured to the floor using the supplied floor anchors and bolts
- Install this product according to the installation guide
- Scan for instructions



Royal Ceramics Lanka PLC.

No.20, R.A. De Mel Mawatha, Colombo 03, Sri Lanka.

☎ 076 6 223 344 ✉ info@rcl.lk 🌐 www.rocell.com

FOLLOW US



** Dimensions of fixtures are nominal and may vary within the range of tolerance. These measurements are subject to change or cancellation. No responsibility is assumed for use of superseded or voided leaflet.