

FLO



BIDET

PRODUCT ID

FL54013 (RB.FLO.05G104.01.07)

Vitreous China floor standing back to wall Bidet complete with overflow hole. Designed for deck mounted single hole centre set bidet faucet.

FEATURES

- Vitreous China bidet
- Contemporary design
- Integral overflow
- Designed for deck mounted bidet faucet

INCLUDED COMPONENTS

- Mounting hardware
- Bolt caps
- Overflow hole cover

WARRANTY

- 5 year written warranty against crazing and dunting

STANDARDS APPLICABLE

Specified model meets or exceeds the following:

- BS 3402 :1969
- BS 5505 - 3:1977
- BS EN 35: 2000

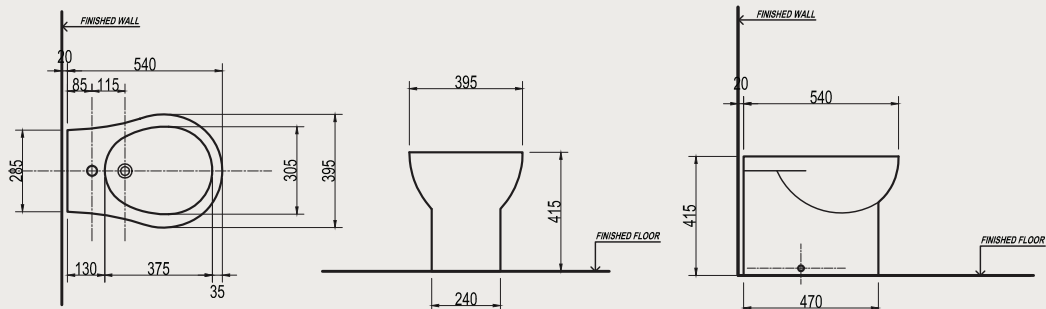
TECHNICAL INFORMATION

** Approximate measurements for comparison only

CONFIGURATION	FLOOR STANDING BIDET
Weight	22.7 kg
Bowl Size	345 X 300 X 240 mm
Height - Floor to Rim	415 mm
Nominal Dimensions	540 X 390 X 415 mm
Faucet Hole	35 mm
Waste Hole	45 mm

TECHNICAL DRAWINGS

All drawings contain the necessary measurements, which are subject to standard tolerances. They are stated in mm, are drawn on a scale of 1:20 and are non-binding. Exact measurements, in particular for customized installation scenarios, can only be taken from the finished ceramic piece.



INSTALLATION NOTES

- Install this product according to the installation guide
- This bidet is not furnished with a trap, provisions must be made for the installation of a trap

Royal Ceramics Lanka PLC.

No.20, R.A. De Mel Mawatha, Colombo 03, Sri Lanka.

☎ 076 6 223 344 ✉ info@rcl.lk 🌐 www.rocell.com

FOLLOW US



** Dimensions of fixtures are nominal and may vary within the range of tolerance. These measurements are subject to change or cancellation. No responsibility is assumed for use of superseded or voided leaflet.