

RIVIERA



BIDET

PRODUCT ID
(RB.RVR.05G104.01.08)

A vitreous china floor standing Bidet with an overflow hole. Designed specifically for deck mounted single hole bidet faucets.

FEATURES

- Vitreous China bidet
- Contemporary design
- Integral overflow
- Designed for deck mounted bidet faucet

INCLUDED COMPONENTS

- Mounting hardware
- Seat and cover
- Overflow hole cover

WARRANTY

- 5 year written warranty against crazing and dunting

STANDARDS APPLICABLE

- Specified model meets or exceeds the following:
- BS 3402 : 1969
 - BS 5505 - 3:1977
 - BS EN 35: 2000

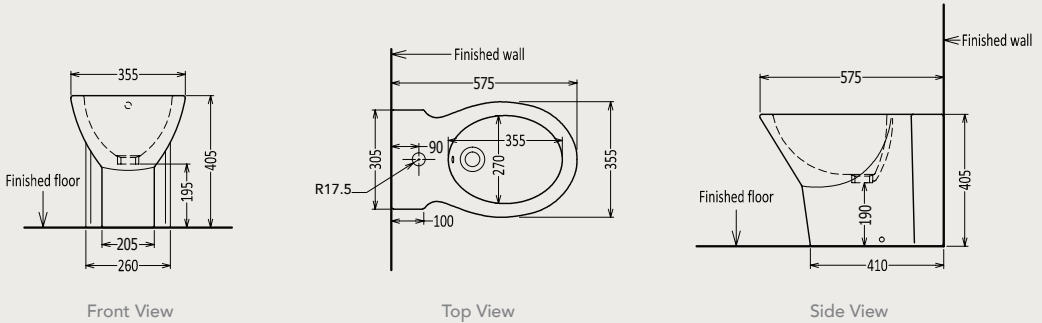
TECHNICAL INFORMATION

** Approximate measurements for comparison only

CONFIGURATION	FLOOR STANDING BIDET
Weight	22 kg
Bowl Size	360 x 260 x 170 mm
Height - Floor to Rim	400 mm
Nominal Dimensions	570 x 352 x 402 mm
Faucet Hole	35 mm
Waste Hole	45 mm

TECHNICAL DRAWINGS

All drawings contain the necessary measurements, which are subject to standard tolerances. They are stated in mm, are drawn on a scale of 1:20 and are non-binding. Exact measurements, in particular for customized installation scenarios, can only be taken from the finished ceramic piece.



INSTALLATION NOTES

- Install this product according to the installation guide
- This bidet is not furnished with a trap, provisions must be made for the installation of a trap

Royal Ceramics Lanka PLC.

No.20, R.A. De Mel Mawatha, Colombo 03, Sri Lanka.

☎ 076 6 223 344 ✉ info@rcl.lk 🌐 www.roccl.com

FOLLOW US



** Dimensions of fixtures are nominal and may vary within the range of tolerance. These measurements are subject to change or cancellation. No responsibility is assumed for use of superseded or voided leaflet.