

AZZA 100 WASH BASIN



WASH BASIN

PRODUCT ID
(RB.AZH.01G101.01.17)

Fine Fire Clay Wall Hung Wash Basin with a tap hole and an integrated work surface.

FEATURES

- Fine fire clay wash basin with an overflow hole
- Contemporary design
- Single tap hole in centre
- Deep bowl for comfortable use
- Rear overflow hole

INCLUDED COMPONENTS

- Wash Basin fixing kit
- Faucets not included

WARRANTY

- 25 year written warranty against crazing and dunting

STANDARDS APPLICABLE

Specified model meets or exceeds the following:

-

TECHNICAL INFORMATION

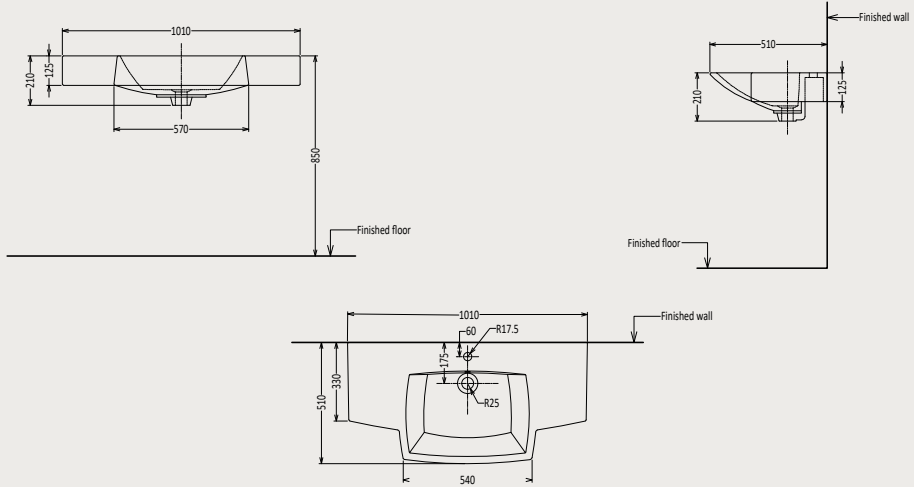
** Approximate measurements for comparison only

CONFIGURATION	WALL HUNG WASH BASIN
Weight	28kg
Basin Area	515 x 360 x 150 mm
Height - Floor to Rim	820 - 850 mm
Nominal Dimensions	1010 x 515 x 205 mm
Waste Hole	45 mm
Faucet Hole	35 mm
Water Depth	95 mm

AZZA 100 WASH BASIN

TECHNICAL DRAWINGS

All drawings contain the necessary measurements, which are subject to standard tolerances. They are stated in mm, are drawn on a scale of 1:20 and are non-binding. Exact measurements, in particular for customized installation scenarios, can only be taken from the finished ceramic piece.



INSTALLATION NOTES

- Install this product according to the installation guide
- Scan for instructions



Royal Ceramics Lanka PLC.

No.20, R.A. De Mel Mawatha, Colombo 03, Sri Lanka.

☎ 076 6 223 344 ✉ info@rcl.lk 🌐 www.rocell.com

FOLLOW US



** Dimensions of fixtures are nominal and may vary within the range of tolerance. These measurements are subject to change or cancellation. No responsibility is assumed for use of superseded or voided leaflet.